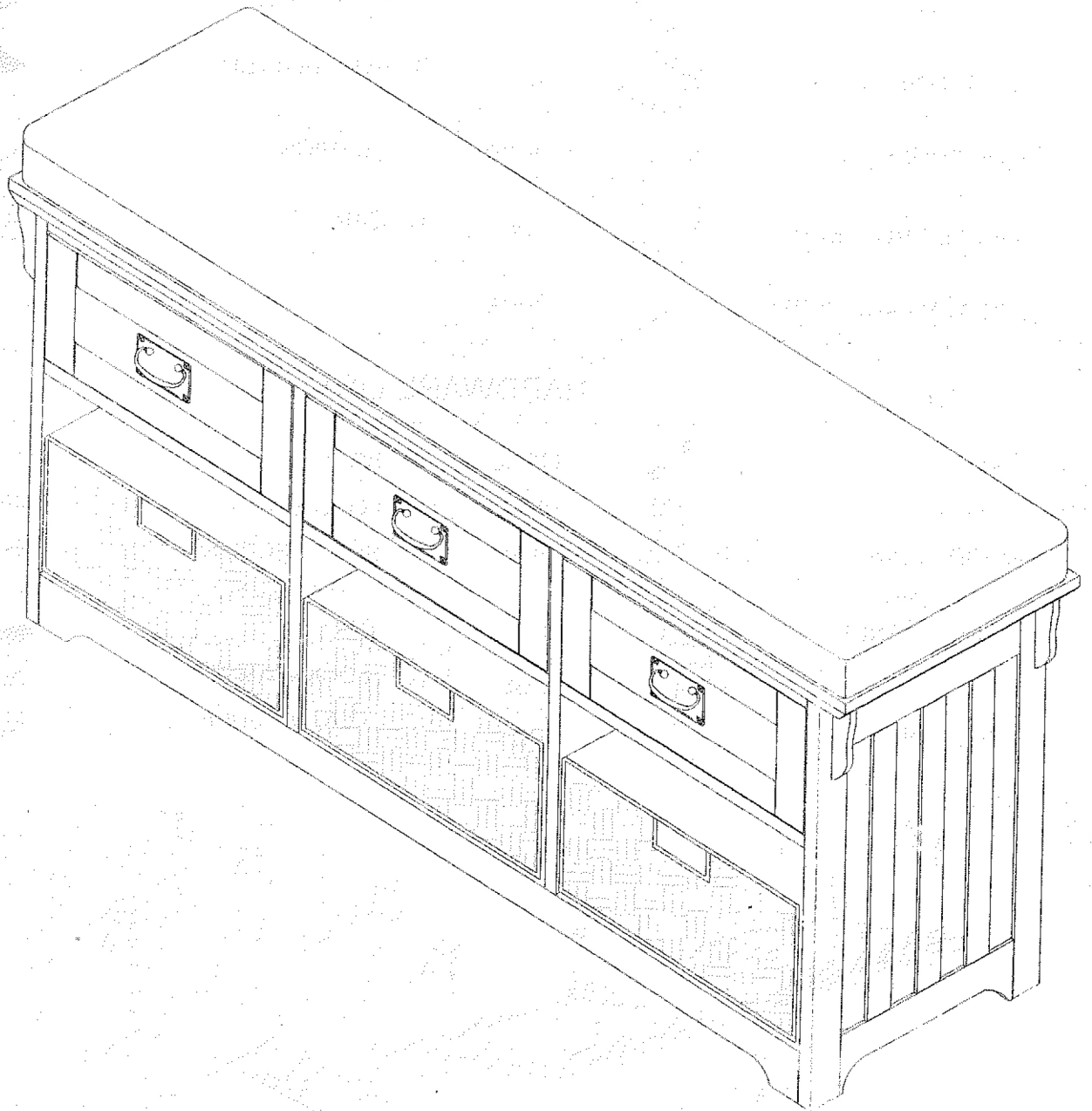



















Assembly Instructions




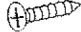
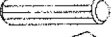


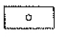

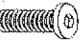






Do not tighten screws until completely assembled.

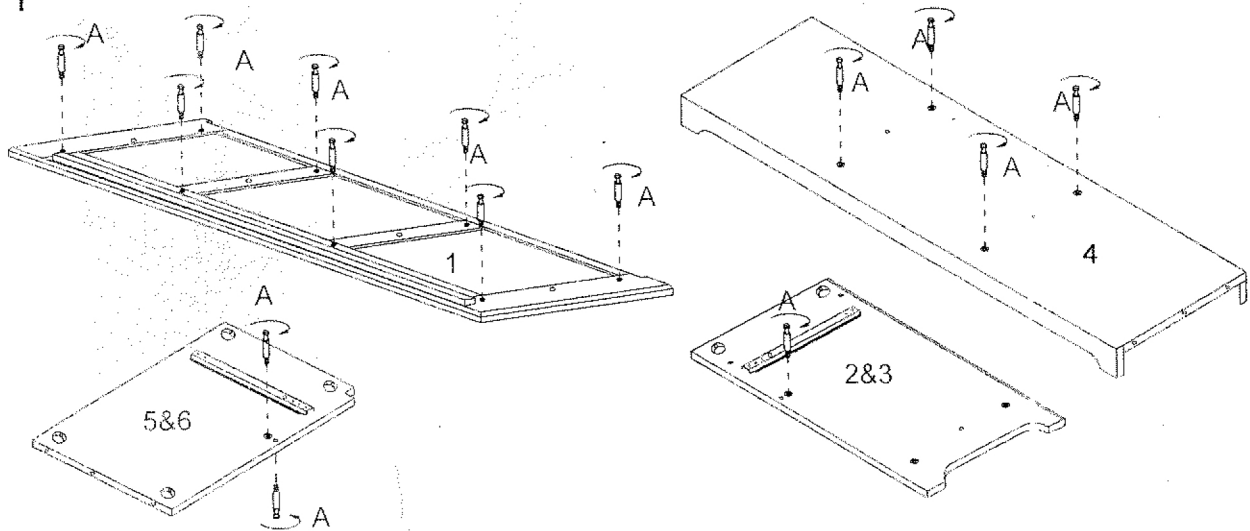
PARTS IDENTIFICATION

1	TOP PANEL		1PC	10	DRAWER SIDE PANEL		6PCS
2	LEFT SIDE PANEL		1PC	11	DRAWER BACK PANEL		3PCS
3	RIGHT SIDE PANEL		1PC	12	DRAWER BOTTOM PANEL		3PCS
4	BOTTOM PANEL		1PC	13	BACK PANEL		3PCS
5	LEFT DIVIDER		1PC	14	BLUE FRAME		3PC
6	RIGHT DIVIDER		1PC	15	BLUE BOTTOM		3PC
7	SIDE CROSSBAR		2PCS	16	CUSHION		1PC
8	MIDDLE CROSSBAR		1PC	17	EAR		4PCS
9	DRAWER FACE PANEL		3PCS				

HARDWARE LIST

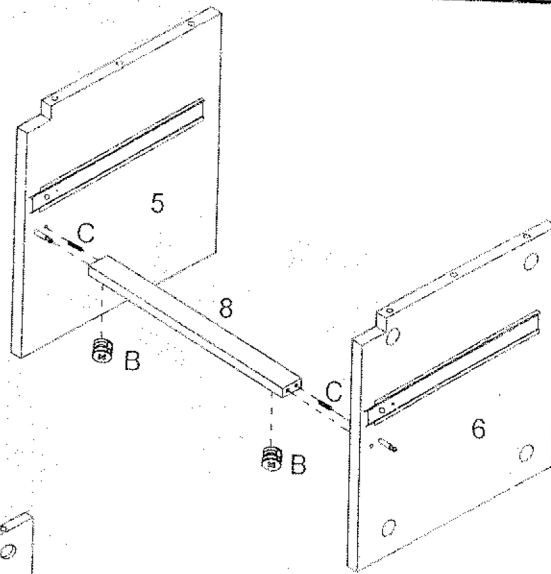
A	CAM-BOLT		18PCS	H	BOLT		6PCS
B	CAM-LOCK		18PCS	I	LONG SCREW		28PCS
C	WOOD DOWEL		14PCS	J	SHORT SCREW		26PCS
D	GLUE 20G		1PC	K	LATCH PLATE		2PCS
E	ALLEN WRENCH		1PC	L	BOLT		4PCS
F	HANDLE		3PCS	M	LOCK WASHER		4PCS
G	HANDLE BOLT		6PCS	N	FLAT WASHER		4PCS

STEP 1

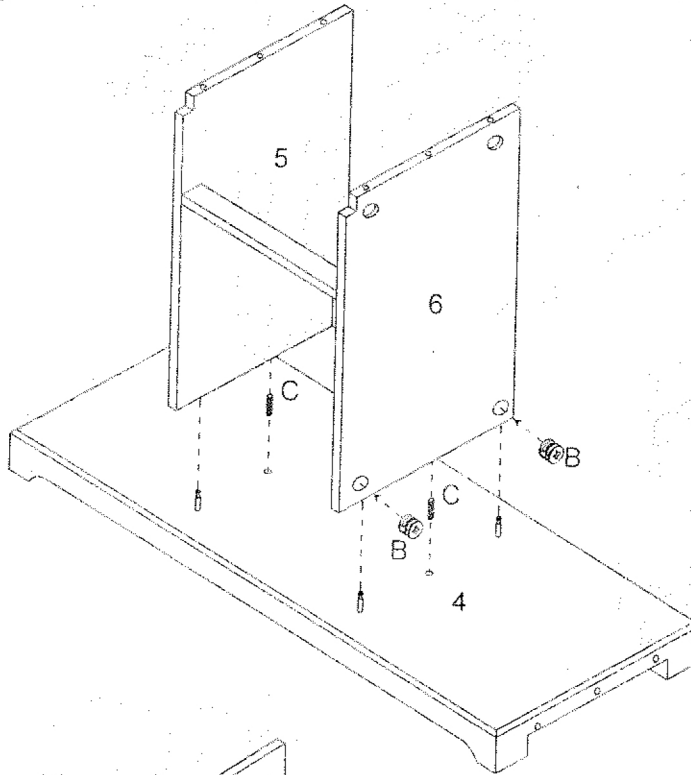


Do not tighten screws until completely assembled.

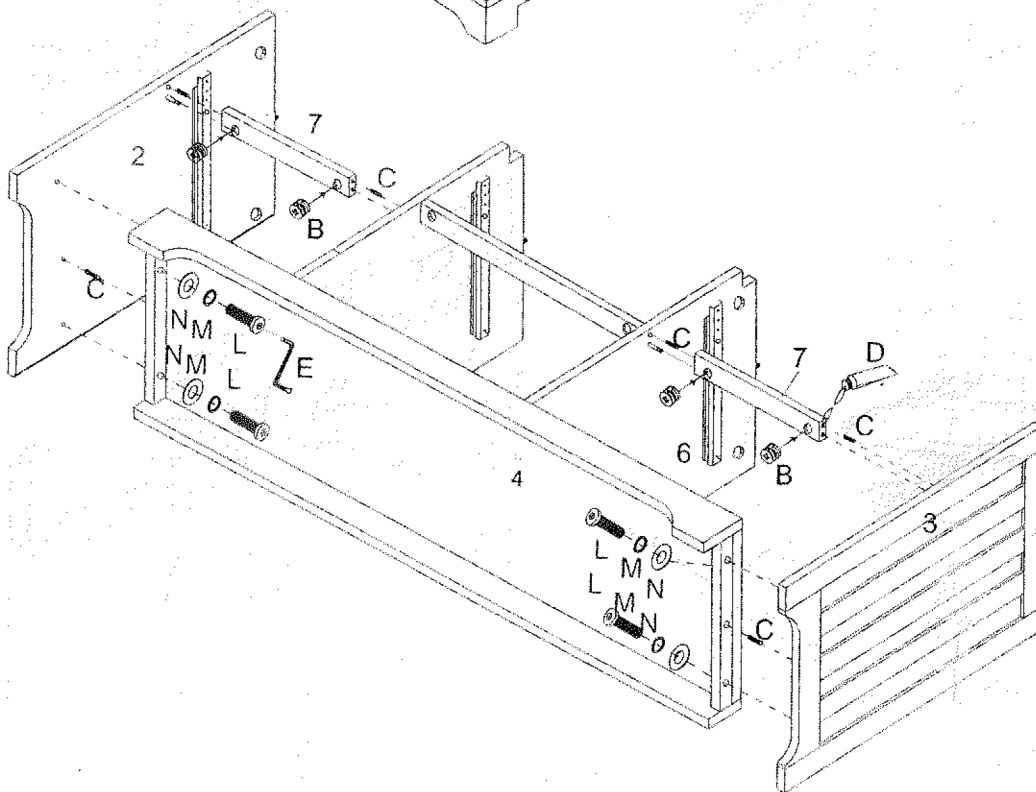
STEP 2



STEP 3

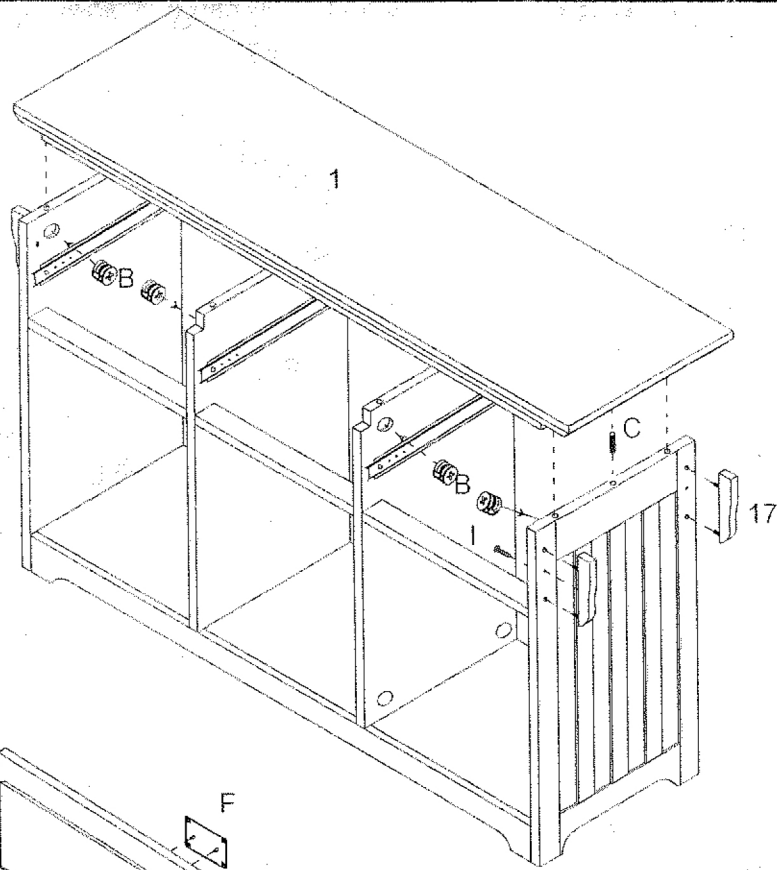


STEP 4

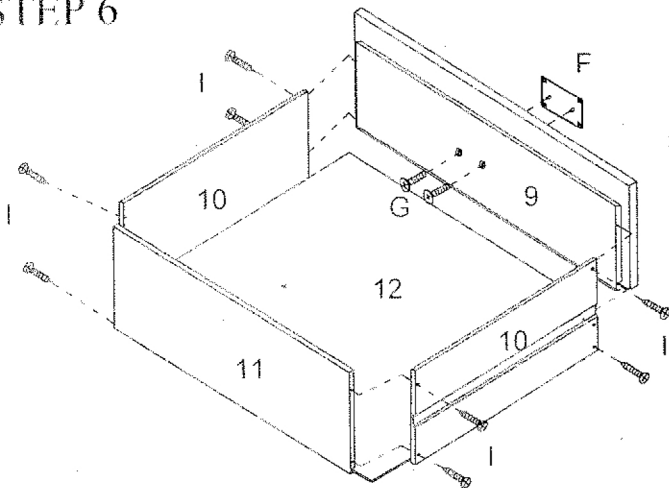


Do not tighten screws until completely assembled.

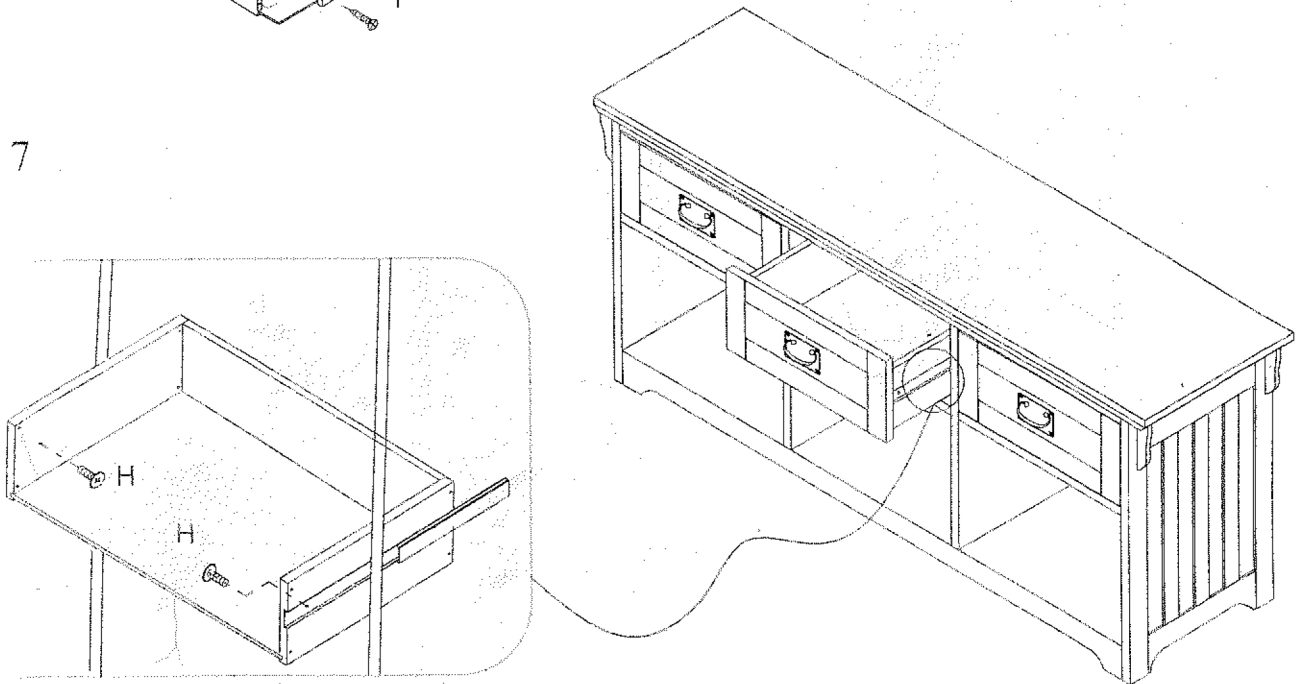
STEP 5



STEP 6

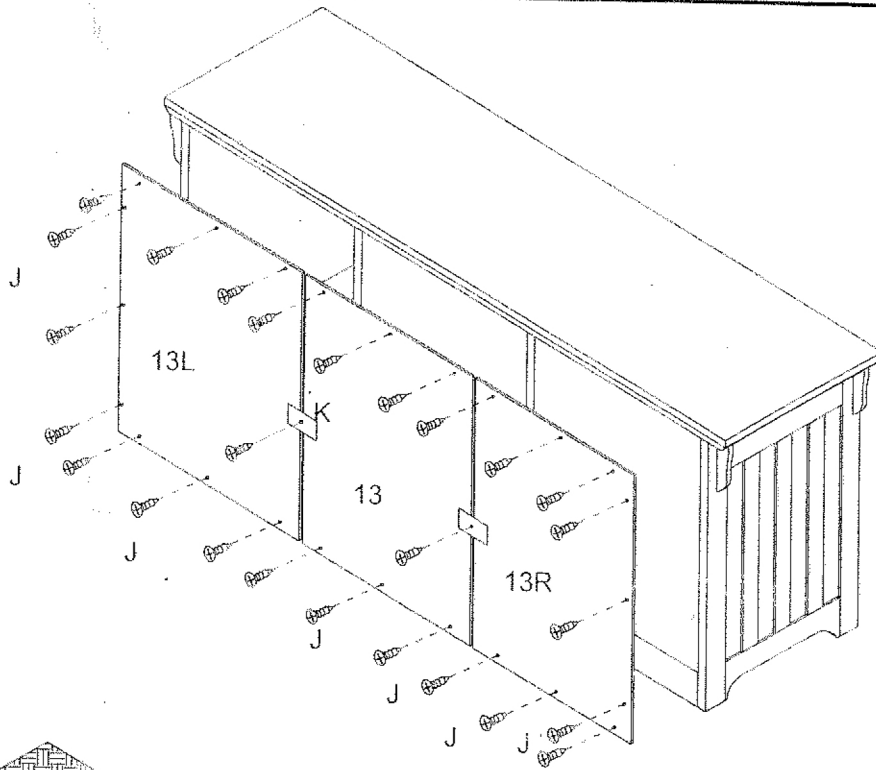


STEP 7

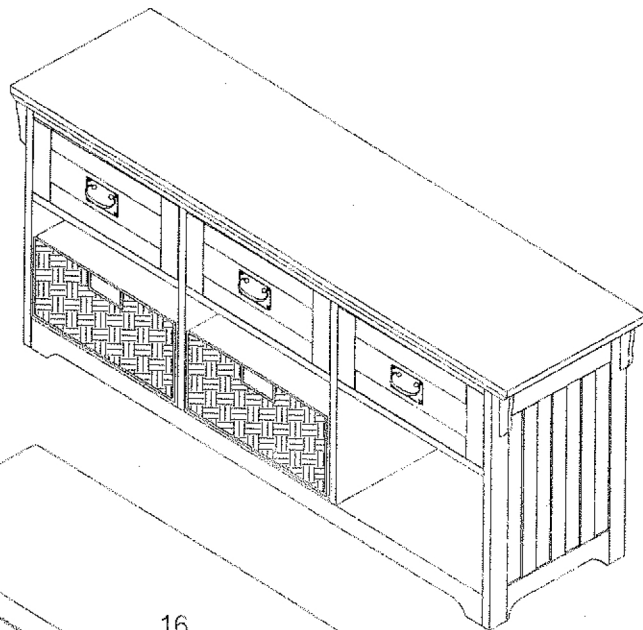
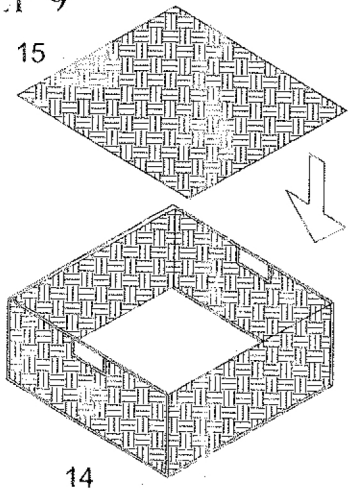


Do not tighten screws until completely assembled.

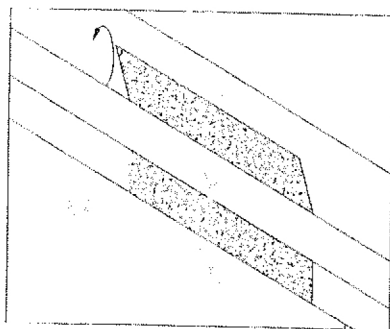
STEP 8



STEP 9



STEP 10



Do not tighten screws until completely assembled.

